



**can opening
& crushing
solutions**



model 160

range

Semi-Automatic

DC Norris & Company



food processing innovation

Our original and best-selling design; the Model 160 Semi-Automatic Can-Opener is suitable for most catering applications where fast lid removal and easy size/height changes are required.

The Model 160 is pneumatically powered and is fast and efficient, with a capable throughput of 200-300 cans an hour.*

The fully enclosed blade removes the can lid without metal slivers in one clean cut, using the two-handed push button. With interchangeable heads and height blocks, the can-opener is adaptable for a wide range of can sizes and shapes.

*times may vary dependent on operator.

Features

- Heavy-duty hygienic glass bead blasted stainless steel
- Two handed push button operation via pneumatic logic to protect operator
- Fully enclosed blade
- Safety air cut off if head shroud removed
- No metal slivers
- Interchangeable heads
- Easy & fast height change without the need for tools
- Height block included
- Easy cleaning
- Pneumatically powered
- Manufactured in the UK

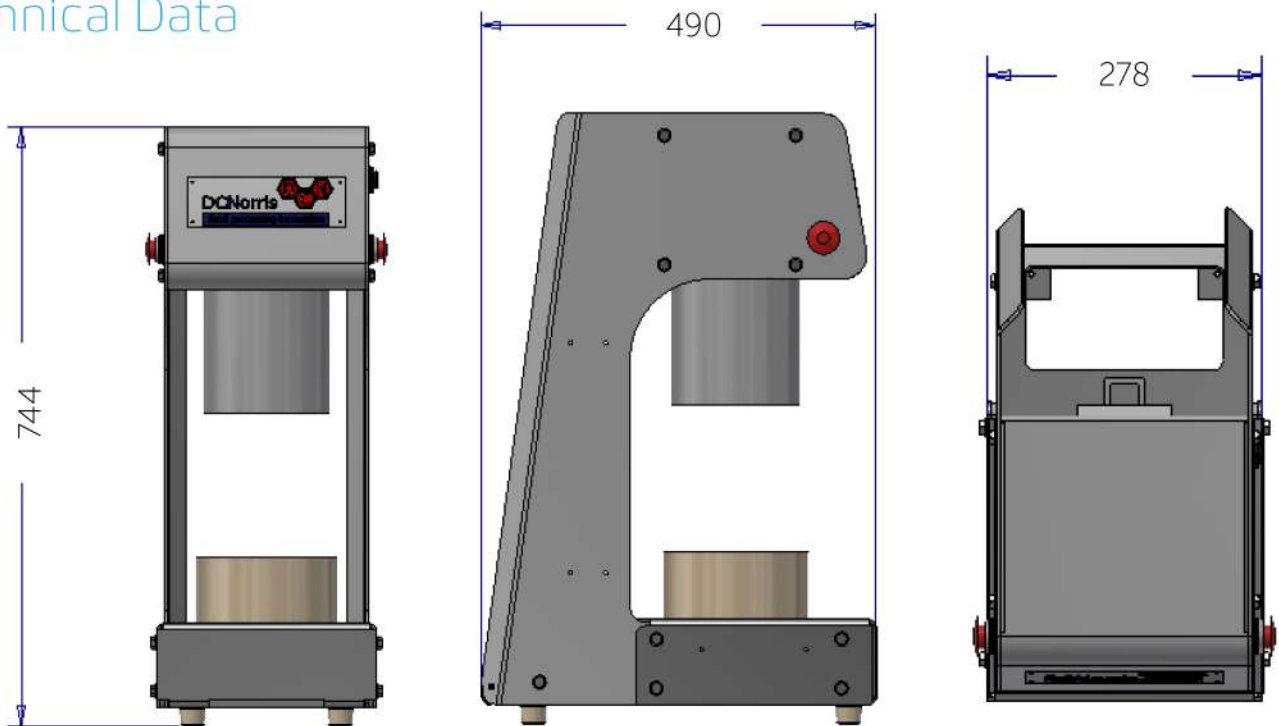
Options

DCN has a large range of options available which can be combined with your Can-Opening Unit. Bespoke designs are also available to suit individual requirements.

- Support Stand
- Infeed Table
- Can Rinse / Air Blast Water Removal Unit
- Product Chute
- Drop-In Mesh
- Can Crushing System
- Magnetic Lid Removal System



Technical Data



The 160 Range

Model No	Can Description
160	Standard
160a	Tall
160b	Wide diameter
160c	Tall and wide diameter

Height (mm)	Width (mm)	Length (mm)	Weight (kg)
741	294	490	36

	Requirement	Connection
Compressed air	6 bar	12mm pushfit



model 990 can crusher

Semi-Automatic

The DCN Model 990 Can Crusher is a heavy duty table top machine capable of crushing domestic and industrial cans to approximately 20% of their original size. Customers can improve their recycling credentials as well as gaining financial payback from the used cans.

The Can Crusher is pneumatically powered and easy to operate. Simply place the can inside, close the lid and the can is crushed and ejected out of the exit chute, taking just a few seconds. Safety features are built into the machine rendering it inoperative should the lid be lifted.

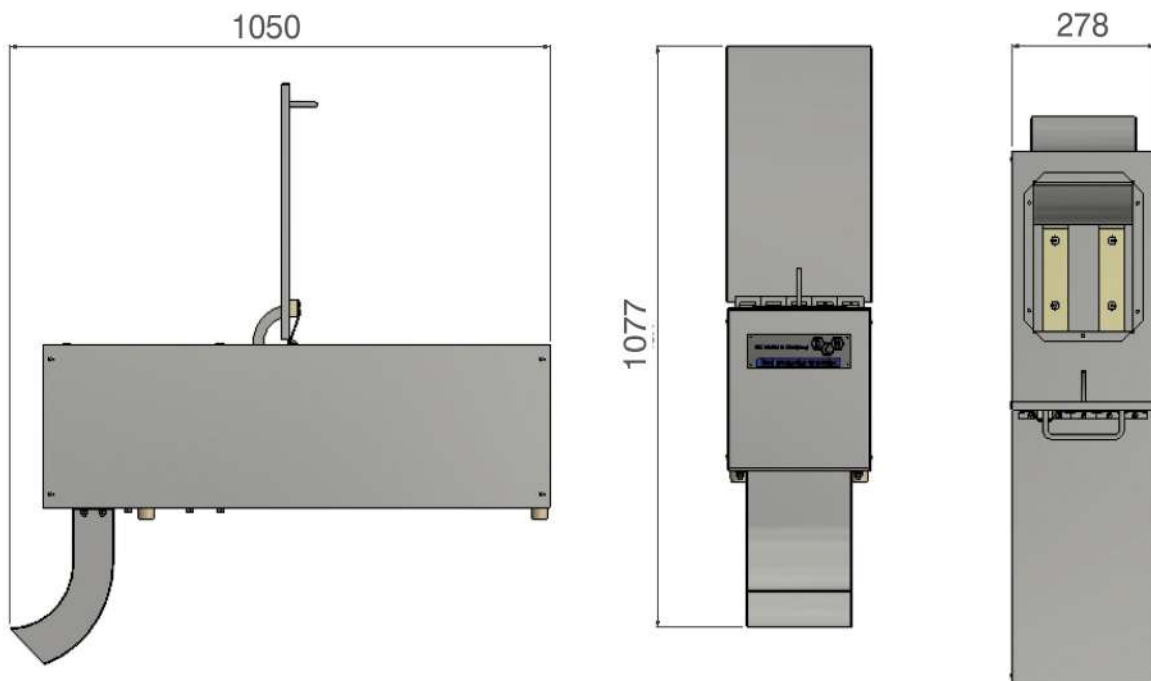
Features

- Manufactured in stainless steel and food approved plastics
- Capable throughput of 200-300 cans an hour
- Maximum can size - 160 diameter x 260mm high
- Compressed air required for operation
- Easy cleaning
- Pneumatically powered
- Manufactured in the UK

Options

- Can wash/rinse system
- Can-Openers
- Can Crusher Stand

Technical Data



Height (mm) with lid open	Width (mm)	Length (mm)	Weight (kg)
803	227	985	76

	Pressure	Connection
Compressed air	240 l/min @ 6 Bar	12mm pushfit

model 175

can opener

Automatic

The Model 175 Can Opener has been introduced for those customers requiring a larger throughput of cans with an opening rate of up to 800 cans per hour*. The machine is designed to open cans with a diameter in the range of 141-159mm and height from 141-260mm, using the crown punch system. It is electrically controlled via a touchscreen HMI Mitsubishi PLC and electrical sensors, and is driven by pneumatic cylinders which gives both ease of operation and reliability in arduous environments.

*Rates may vary depending on options selected, can type and contents.

Operation

Cans are manually placed in the indexing can feeder and travel individually up to the opening head through a tunnel guard, which can be fitted with optional spray wash and air blast. The lid is removed with a cutting head operated on the principle of an inverted crown punch system, which removes the lid leaving no metal slivers. Rare earth magnets in the cutting head retain the lid, which is then removed by a height adjustable collection arm/gripper and deposited into the customer's collection bin. A sensor is used to check that the lid has been successfully collected. If the lid is not detected then this can is ejected from the main process flow into a siding. A simple alarm will notify the operator when the siding is full and the machine is stopped. As the operation is repeated, each opened can pushes the previous can through the twist box to empty the product.

Features

- All stainless steel design
- Fully enclosed blade
- PLC controlled
- In-feed conveyor
- Automatic design
- Twist box
- Removes lid in one cut
- Manufactured in the UK
- Leaves no metal slivers
- Can reject system



Options

Infeed Options:

- 90° Infeed table
- 360° Spray Pre-wash / Air Jet System
- Sanitiser dosing system

Can Opening Options:

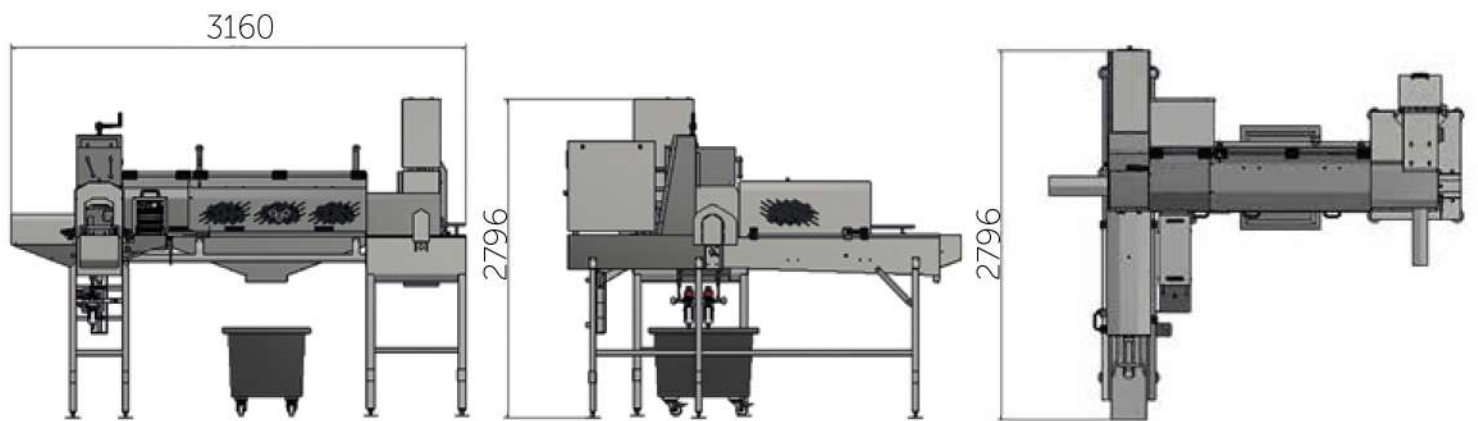
- Lid rinsing device
- Mobile lid collection bin

Product Collection Options:

- Air Jet Product Removal System
- Water Jet Product Removal System
- Pneumatic Product/Liquid Separation Chute
- Magnetic Trap
- Mobile Product Collection Bin

Can Crushing Options:

- Pneumatic Can Crusher
- Outfeed Conveyors
- Mobile Tipping Collection Bin
- Product Removal System



Approximate	Height (mm)	Width (mm)	Length (mm)	Weight (kg)
With Can Crusher	1898	2813	3643	550
Without Can Crusher	1890	2796	2930	400

	Pressure	Connection
Air (without crusher)	250 l/min @ 6 Bar	25mm
Air (with crusher)	1200 l/min @ 6 Bar	25mm
Electrical	240V single phase 50Hz	



DCNORRIS

D C Norris & Company Ltd

Industrial Estate, Sand Road, Great Gransden,

Nr Sandy, Bedfordshire, SG19 3AH

United Kingdom

t +44 (0) 1767 677 515

f +44 (0) 1767 677 851

e mail@dcnorris.com

www.dcnorris.com